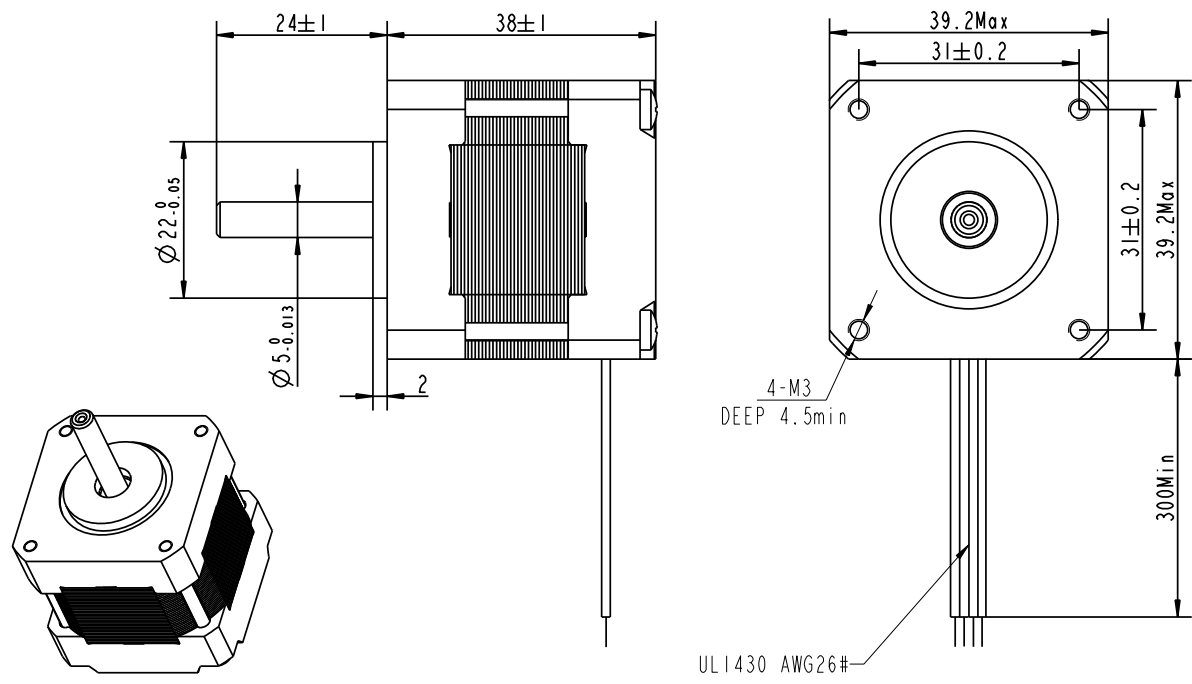
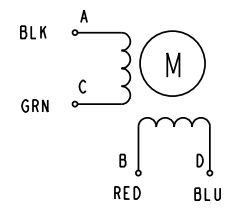


REV	ECN	NO	DESCRIPTION	DRN	APP'D	DATE



Wiring Diagram (接线图)



Exciting Sequence (励磁顺序)

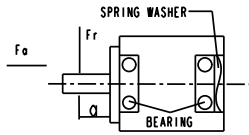
CW DIRECTION	STEP	A	C	B	D
↓	1	+		+	
	2		+	+	
	3		+		+
	4	+			+
	1	+		+	

CW, see from flange side (顺时针 从法兰侧看)

4线接线图

STEP ANGLE	步距角	1.8°/full step(1.8°)
STEP ANGLE ACCURACY	步距角精度	±5%
NUMBER OF PHASE	绕阻相数	2
RATED VOLTAGE	额定电压	12 VDC
RATED CURRENT	额定电流	0.5 A
RESISTANCE/PHASE	每相电阻	22±10% OHMS@20°C
INDUCTANCE/PHASE	每相电感	40±20% mH@1kHz
HOLDING TORQUE	保持转矩	2.9 kg.cm
PULL OUT TORQUE	运行转矩	
BACK EMF	反电动势	
DETTENT TORQUE	定位转矩	180 g.cm
ROTOR INERTIA	转子转动惯量	24 g.cm²
WEIGHT	重量	200 g
TEMPERATURE RISE	温升	less than 80K(≠780#)
SOURCE VOLTAGE	驱动器电压	24 VDC
INSULATION CLASS	绝缘等级	B 130°C
DIELECTRIC STRENGTH	介电强度	500VAC 1MIN
INSULATION RESIST	绝缘电阻	100MΩ @500VDC
IP CODE	防护等级	IP30
OPERATION AMBIENT	使用环境	Ambient temperature:-25...+40°C, humidity Max.85%(No condensation)
STORAGE AMBIENT	存储环境	Ambient temperature:-10...+35°C, humidity Max.85%(No condensation)

PERMISSIBLE RADIAL+AXIAL FORCE  
(允许轴向和径向力)



AXIAL-FORCE	轴向压力	Fa:10 N Max
DISTANCE	距离	a:10 mm
RADIAL-FORCE	径向压力	Fr:28 N Max
SHAFT RADIAL PLAY	径向间隙	0.02mm Max.Ø4N
SHAFT AXIAL PLAY	轴向间隙	0.08mm Max.Ø4N

A	160321001	电机单元, 电机端盖	DESIGN	DATE	P/W.	3.1.01.039.0034
REV	ECN NO.	DESCRIPTION	CHECK		TITLE	电机
UNLESS OTHERWISE SPECIFIED TOLERANCES:		MATERIAL	CONTR.	APPD	USED ON	FL39ST38-0504A
DECIMALS:	.X ±0.5	ANGULAR:	±0°'30'		DWG NO.	REV A
.XX ±0.25						
.XXX ±0.1						
UNIT: mm		FIRST ANGLE PROJECTION	SCALE	1:1	FULLING MOTOR	
DO NOT SCALE DRAWING			SHEET	1 OF 1		